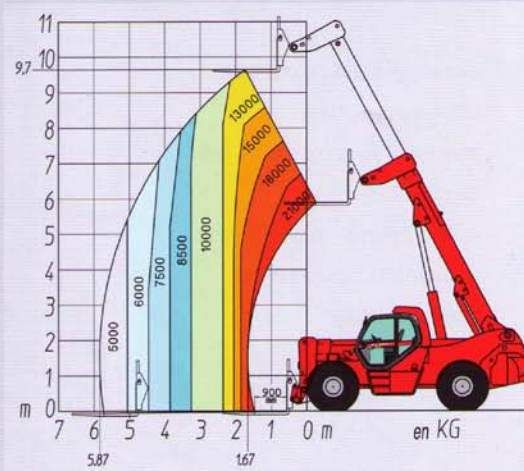
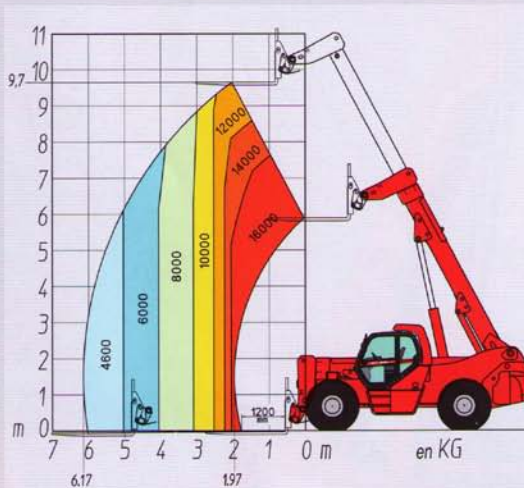


MHT 10210 L TURBO

LOAD CENTRE AT 900 MM



LOAD CENTRE AT 1200 MM



ENGINE

Diesel MERCEDES OM 904 LA Turbo - Intercooler - Air/Air

Capacity 4 cylinders / 4250 cm³
 Power (ISO/TR 14396) 175 HP / 129 kw
 Rated speed 2200 r.p.m.
 Maximum torque at 1200 r.p.m. 675 Nm
 Electronic injection

Fan puller
 Cooling water

Anti-polluting standards TIER 3
 Air filter (type / micron) cartridge/3
 Battery 12 Volts
 Capacity 120 Ah

CAPACITY / LIFTING HEIGHT

Load centre at 900 mm at 1200 mm
 Lift capacity: 21000 kg 16000 kg
 Capacity at max. height 13000 kg 12000 kg
 Capacity at max. front reach 5000 kg 4600 kg
 Lift height 9.70 m 9.70 m
 Maximum front reach 5.87 m 6.17 m

TRANSMISSION

Hydrostatic transmission **REXROTH**

Hydrostatic variable flow pump 125 cm
 Hydrostatic variable cylinder engine 160 cm
 Reversing shift electro-magneti
 Differential central : (inter-axes)

2 forward and reverse speeds:

Low speed 8 km/h
 Fast speed 25 km/h

HYDRAULICS

Main pump:

High pressure piston pump REXROTH Load Sensing

Capacity 75 cm
 Maximum pressure: 350 ba
 Flow 165 L/min

Steering pump:

Type Load Sensing
 Maximum pressure: 210 ba

Power brake circuit pump

Gear type
 Capacity 25.7 cm
 Maximum pressure 40 ba
 Flow 56 L/min

Hydraulic oil radiator:

4 electrical fans
 2 continuous fans
 2 automatic fans

Distributor:

High flow hydraulic proportional REXROTH
 (300 L/min) with 4 closed centre elements

Drive type:

Proportional joystick on all movements

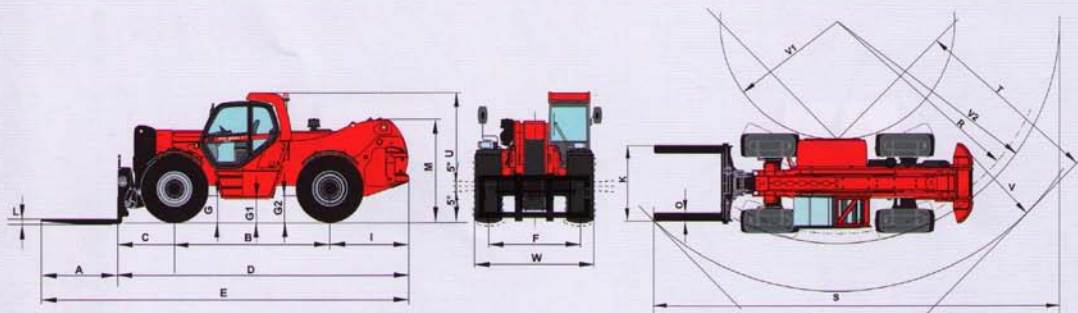
Flexibles:

TP tube type with high pressure type flexible links

Filtration degree (micron):

Suction 250 mic
 Return 10 mic
 Filtration air tank 10 mic

DIAGRAMS

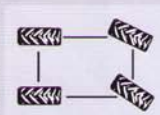


A	B	C	D	E	F	G	G1	G2	I	K	L	M	O	R	S	T	U	V	V1	V2	W	Y	Z
1800	3650	1350	6860	8660	2060	510	470	510	1860	2000	100	2325	200	5750	12030	5040	2960	7280	3160	6050	2660	12°	105°

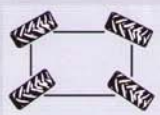
* With tyres 23,5 R25 XLB

AXLES

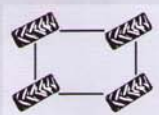
Heavy Duty axles with oil bath epicyclical reduction with 3 satellites
Integrated steering cylinders with double action in high position
Frame levelling.....5° /5° on front axle
3 steering modes:



2 WHEEL STEERING



4 WHEEL STEERING



CRABSTEER

BRAKES

Type.....oil bath multidiscs in both axles
Drive type.....Hydraulic
Parking brake on front and rear axles
Oil bath multidisc negative parking brake

TYRES

- Model.....23,5 R25 XLB
.....ou 18.00 R25 XZM2
- Pressure8 bar
- Drawbar pull17400 daN

LIFTING/TELESCOPING MOTIONS

Unloaded lifting.....32 sec
Unloaded lowering.....18.5 sec
Unloaded extending internal telescope14 sec
Unloaded retracting internal telescope.....11 sec

FORKS

Standard equipment..... TFF MT 2000, floating forks
Dimensions.....200 x 100 x 1800 mm
Weight of forks660 kg

CAPACITIES

Cooling circuit16 L
Engine oil8.1 L
Equipment hydraulic oil.....290 L
Fuel tank200 L

WEIGHT

Total weight without equipment26890 kg
Total weight unloaded with equipment28350 kg
Total weight laden with forks49350 kg

Load on axle with standard equipment (unloaded)

On front axle, boom retracted9320 kg
On rear axle, boom retracted19030 kg

Load on axle with standard equipment (loaded)

On front axle, boom retracted44250 kg
On rear axle, boom retracted5100 kg

STANDARD EQUIPMENTS

- ROPS-FOPS cabin
- GRAMMER seat
- Front and rear wipers
- Driving lights
- Rotating beacon
- Left rearview mirror
- Safety device with automatic lock of aggravating movements
- Safety valves on cylinders
- Heating
- TFF

OPTIONS

- Air conditioning
- Comfort seat
- Roof wipers
- Cabin rearview mirror